

Phase 3 Early Reading

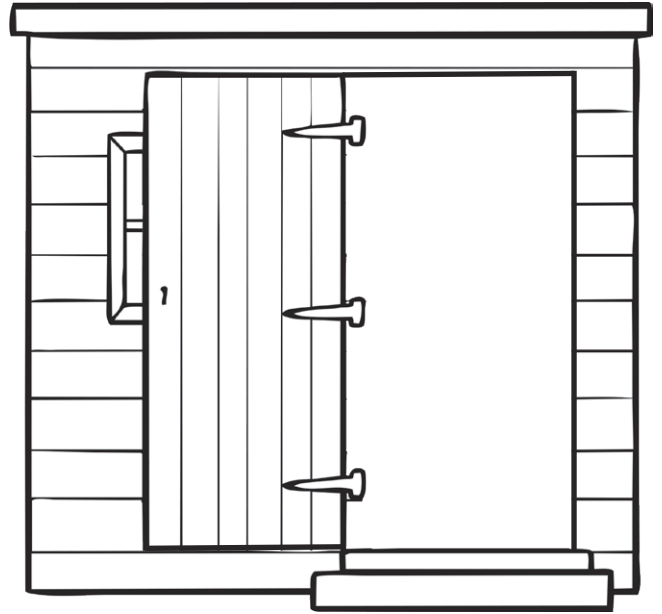
Comprehension Activity 10

Read the sentence. Add the information to the picture.

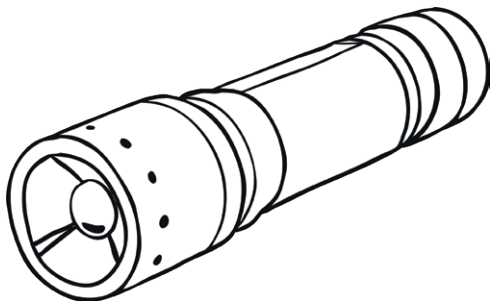
You bow down to the king.



Look at the tools in the shed.



It is light now that the torch is on.



I can see a dog in the cart.

